



Single Stage Vertical Centrifugal Pump Anti - Corrosive For Chemical Industry

Our Product Introduction

Basic Information

- Place of Origin: Sichuan, China
- Brand Name: horizontal-slurrypump.com
- Certification: ISO9001
- Model Number: OEM
- Minimum Order Quantity: 1 set
- Price: USD 500-5000/set
- Packaging Details: free fumigation export wooden box packaging
- Delivery Time: 25 working days after receiveing advance payment
- Payment Terms: L/C, D/A, D/P, T/T, Western Union, MoneyGram, Paypal
- Supply Ability: 300 sets per month



Product Specification

- Max Flow: 450m³/h
- Max Head: 120m
- Speed: 1450rpm-2900rpm
- Pressure: 1.6MPa
- Warranty: 1 Year
- Structure: Single-stage Pump
- Power: 160KW
- Product Name: Single-stage Circulating Centrifugal Pump
Sustainable Corrosive Resistant Chemical Pump
- Highlight: **vertical chemical pump**




for more products please visit us on horizontal-slurrypump.com

Product Description

Single-stage Circulating Centrifugal Pump Sustainable Corrosive Resistant Chemical Pump

Product Data

	Model: WDL-series vertical centrifugal pump
	Discharge Size: 40mm~200mm
	Inlet Size: 50mm~250mm
	Capacity: 8 ~ 800 m³/h
	Head: 10 ~ 90 m
	Maximal Efficiency: 70%
	NPSH: 1.4m~4.5m
Allowable Max Motor Power: 315 kw	
Impeller	Allowed Max Particle Size: 20 mm
Vanes: 5/6	Seal Type: /
Type: closed/ half open	Pump Weight: up to 3000 kg
Material: Metal (according to working conditions)	RPM: 1450 r/min

Application

- 1, petroleum and chemical industry;
- 2, the oil industry;
- 3, synthetic fiber industry;
- 4, textile printing and dyeing industry;
- 5, plastic and rubber industry;
- 6, papermaking industry;
- 7, wood industry;
- 8, building industry;

Technical Parameter

model	flow (m³/h)	Head (m)	Rotating speed (r/min)	Highest efficiency (%)	pump head weight KG	Submerged depth mm	Shaft component
40WDL-250	8-20	15-28	1450	39	620	1300/1000	100
40WDL-310	8-40	23-42	1450	45	692	1300/1000	100
40WDL-350	8-45	35-54	1450	37	870	1300/1000	120
50WDL-250	10-30	15-28	1450	40	642	1300/1000	100
50WDL-310	15-60	25-42	1450	45	705	1300/1000	100
50WDL-350	15-70	35-54	1450	50	886	1300/1000	120
50WDL-400	20-75	50-75	1450	45	961	1300/1000	120
65WDL-250	30-70	15-28	1450	48	652	1300/1000	100
65WDL-310	30-90	25-40	1450	57	905	1300/1000	120
65WDL-350	40-100	35-54	1450	59	915	1300/1000	120
65WDL-400	50-120	45-75	1450	55	1008	1300/1000	120
65WDL-450	50-120	70-95	1450	52	1075	1300/1000	120
80WDL-250	70-100	15-25	1450	61	652	1300/1000	100
80WDL-310	70-120	25-40	1450	62	935	1300/1000	120
80WDL-350	70-160	35-52	1450	65	940	1300/1000	120
80WDL-400	70-160	50-75	1450	62	1068	1300/1000	120
80WDL-450	70-160	70-95	1450	60	1100	1300/1000	120
100WDL-310	100-150	20-38	1450	65	960	1300/1000	120
100WDL-350	100-220	35-50	1450	65	970	1300/1000	120
100WDL-400	100-220	40-72	1450	65	1125	1300/1000	120
125WDL-310	120-260	18-36	1450	67	1025	1300/1000	120
125WDL-350	120-300	35-50	1450	68	1035	1300/1000	120
125WDL-400	140-350	45-70	1450	70	1206	1300/1000	120

125WDL-450	150-360	65-90	1450	67	1497	1300/1000	140
150WDL-310	200-400	18-35	1450	72	1127	1300/1000	120
150WDL-350	200-450	25-48	1450	75	1175	1300/1000	120
150WDL-400	200-450	40-65	1450	73	1668	1300/1000	140

Features

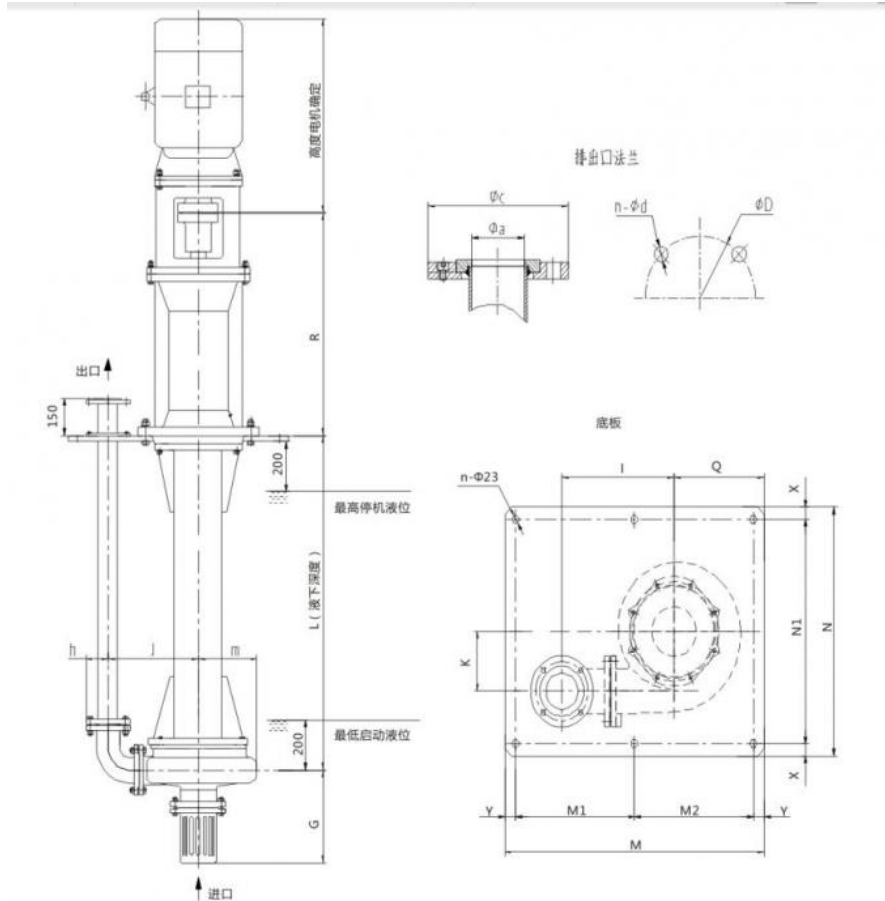
Wide-flow impeller: beneficial to the passage of solid medium without causing clogging.

Back blade: balance part of the axial force and prevent the medium reflow.

Support tube and the outlet tube: stainless steel welded structure, excellent in rigidity and corrosion resistance.

Bearing: lubricated by grease.

Installation Dimension





Product Picture



 **ROMAN** Beijing Silk Road Enterprise Management Services Co.,LTD

 0086-17773109286

 jeffreyth@slurrypump.com

 horizontal-slurrypump.com

Floor 5, 2nd Building, Zhonglu Industrial Zone, Shenzhen City, Guangdong Province China (Mainland)

